

# Video Door Intercom for Grandstream® IP-Phones

Multi-party terminal with direct SIP calling and access management with 3-factor authentication



frogTerminal S3+



frogTerminal KS



## Newest Technology in Audio, Video and Access Control

The frogTerminal video door intercom combines sleek, modern design with simple one-click installation. The touch display shows the street and house number and switches to a bell icon or a list upon approach. With loud, crystal-clear audio optimized for noisy environments and an ultra-wide 8 MP camera with a 180° field of view. Access can be granted by PIN, RFID transponder or time-based permissions - ideal in office buildings.

## SIP-Standard with Direct IP-Calls

Calls of the frogTerminal can be received on any SIP phone via direct IP link – no additional infrastructure required. The frogTerminal also supports simultaneous registration with multiple SIP servers and connection to smartphones via the SIP-enabled frogCloud. Our optional frogSIP app runs on Grandstream® devices as well as on mobiles, allowing remote configuration of the frogTerminal and retrieval of access logs with video.

## frogModules - Hardware Extension without Cabling

frogblue's standard modules ("frogs") integrate seamlessly with Bluetooth Mesh enabling control of lighting, doors, and other building systems, while also capturing input from sensors like temperature probes, emergency buttons, and door/window contacts.



The specialists for smart building technology and communication • Made in Germany

frogblue AG • Luxemburger Strasse 6 • 67657 Kaiserslautern • info@frogblue.com • Tel: + 49 631 5208290



### Easy, Infrastructure-Free Installation

Connect frogTerminal and multiple Grandstream® IP phones via a standard network switch - no SIP server or cloud connection required. For flexible configurations, you can register the Terminal with multiple SIP servers at once to make multi-party environments even easier.

### Smartphone via frogCloud and the frogSIP app

Download the free frogSIP app from the Apple® App Store or Google® Play. Simply scan a QR code or enter a PIN token to pair your smartphone with the system. The app displays missed calls, call and event history (with video), and lets you define access codes and function PINs for triggering actions by the frogTerminal.

### Interconnected Locations

Install the frogSIP app on Android-based Grandstream® phones to unlock the full feature set, and connect the devices to the SIP-enabled frogCloud to link multiple locations securely over the internet.

### Decentralized Access Control

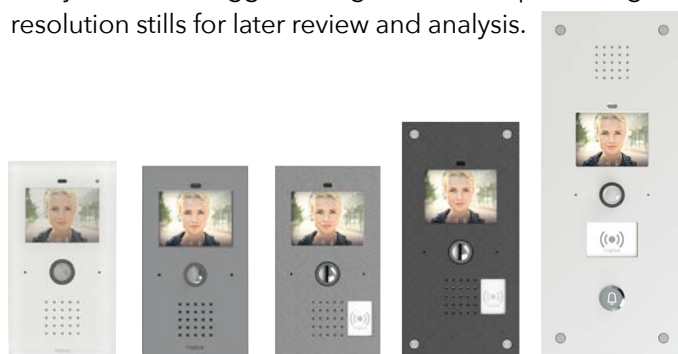
The frogTerminal intercom supports RFID transponders (Desfire EV2) with time schedules, additional PIN codes, and door zone management. User access data is stored and updated directly on the transponder, enabling decentralized distribution across intercoms. This means no pre-registration is required at each terminal – simply use the transponder to gain access. Even during network outages, access remains fully functional – thanks to the decentralized architecture.

### Three-Factor Authentication

Configure the frogTerminal by time schedule or user role to require a transponder, PIN, and voice or video call verification – ideal for access outside of working hours.

### Hires Video Snapshot Recording

Every event can trigger storage of video clips and high-resolution stills for later review and analysis.



Glas-Line    KS-Line    ALU-Line    S2-Line    S3-Line B1

### Event-Driven Actions and Phone Calls

frogTerminal's sophisticated event handler can record snapshots and video, trigger hardware outputs or initiate IP and Bluetooth® Mesh commands. Our technology also monitors door status – open, closed or locked.

#### Events that can trigger actions:

- Approach to the station
- Bell-button presses
- Inputs on the two integrated contacts
- PIN entry on screen
- Incoming IP links or IP-notifications (MX)
- frogblue Bluetooth Mesh commands

#### Available actions:

- Relay output activation
- Action groups
- Telephone calls (with audio messages)
- IP-link and IP-notify transmissions (MX)
- frogblue Bluetooth Mesh commands

#### Supported call types:

- SIP audio/video
- Direct IP call
- Multiple SIP-servers in parallel
- Smartphone calls via frogCloud
- Call groups
- Time-scheduled call forwarding

Smith

Frank

Miller

\*\*\*\*\*\_

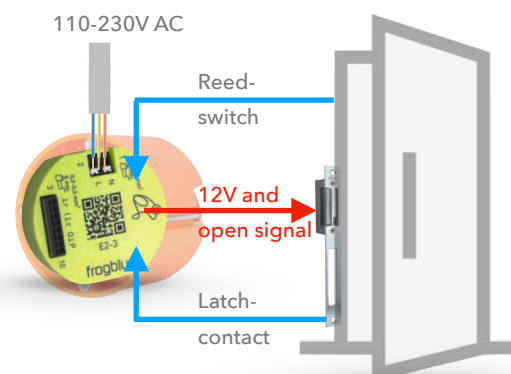


RFID



### Integrated building automation

frogblue's Bluetooth®-based modules ("frogs") manage a wide range of building automation functions – including control of lights, doors, shutters, and fans – and collect data from sensors such as temperature probes and door/window contacts. All seamlessly integrate via frogblue's patented Bluetooth® Mesh.



**frogEntry:** the 230V bluetooth mesh module for the door opener or motorized lock; provides 12V/15W, door signaling, and monitoring of the door contact and latch/deadbolt