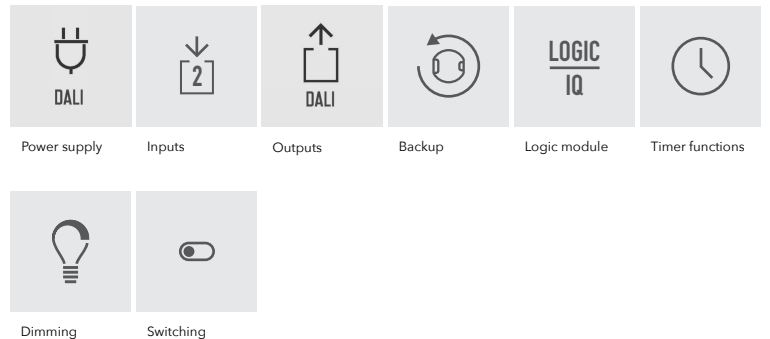
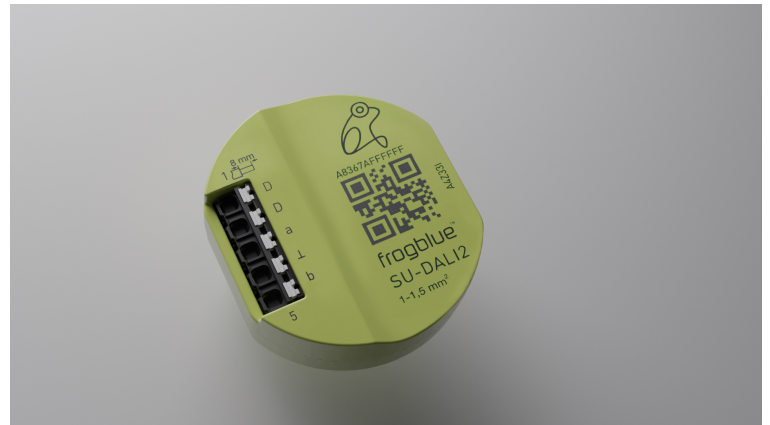


frogDALI

Frogblue bridge for connection to the DALI system enables integration and control of DALI lights. This allows existing systems to be expanded with frogblue or DALI lights which can then be integrated into the frogblue system.



Technical Data

Category

Article designation	frogDALI
Article number	SU-DALI2.01
Assembly type	Recess-mounted (in device socket according to DIN 49073)

Functions and power

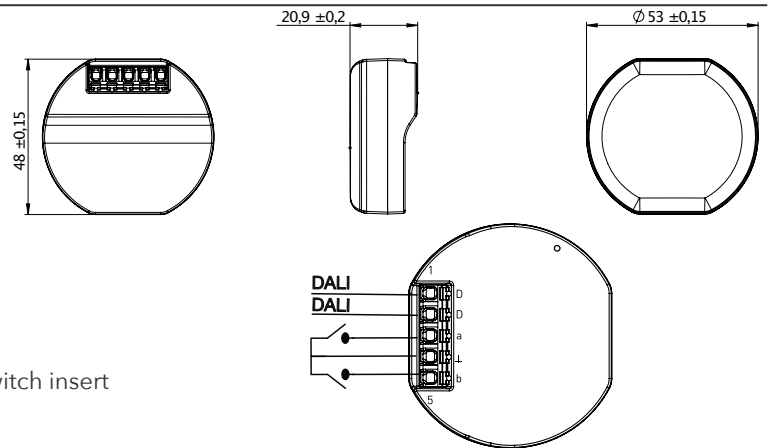
- Broadcast for provisioned and unprovisioned devices
- Control of a maximum of 6 devices and groups with individual parameters
- * Control of up to 64 devices and 16 groups with global parameter sets
- Supports DALI/DALI2 standard
- Parameterizable switch-on and switch-off behaviour
- Comfort and timer functions
- Integrated configuration backup
- Configuration of lamp parameters via external tools (e.g. DALI Cockpit)
- Power supply via DALI power supply unit
- Color parameters will be supplied via software update

frogDali

Dimensions and weight

Dimensions (L x B x H): 53 x 48 x 20,9 mm

Weight: 20 g



Connection example:

Socket depths min. 53 mm for installation behind switch insert

Electricity supply

Mains voltage DALI	9,5 V - 22,5 VDC
Current consumption	8 mA @ 16V, max. 10 mA
Stand-by consumption	< 150mW

Inputs

Quantity	2
	Galvanically isolated circuit, for connecting potential-free contacts (switches, buttons, relays). Self-supply (2V / max. 1mA) or low voltage contacts max 30V AC (50 V DC)

Outputs

Groups	6 (16)*
Electronic ballast	6 (64)*

Network

WLAN	No
Bluetooth®	Bluetooth® 4.2 Low Energy
Frequency range	2400-2483,5 MHz max. -0,2 dBm
Typical radio open field range	30 metres

Operation and storage

Ambient temperature	-25°C to +55°C
Storage temperature	-25°C to +70°C
Air humidity (during operation)	(Non-condensing)
Protection category	Conforms to IP20

Power connection

Connection type	Spring-type terminal (single wire)
Wire cross section	1 - 1,5 mm ² (rigid conductor recommended)
Stripping length	8 mm
Special feature - <i>not compatible with:</i>	<i>DT6 and DT8</i>

Packaging

Packaging size	1 unit, 10 units
EAN 1 unit	4260578531283
Packaging dimensions (L x B x H) 1 unit	75 x 30 x 75 mm
Weight including packaging / cables 1 unit	32 g

Subject to change.
Electrical equipment may be installed and fitted only by qualified electricians.

Further information
www.frogblue.com

