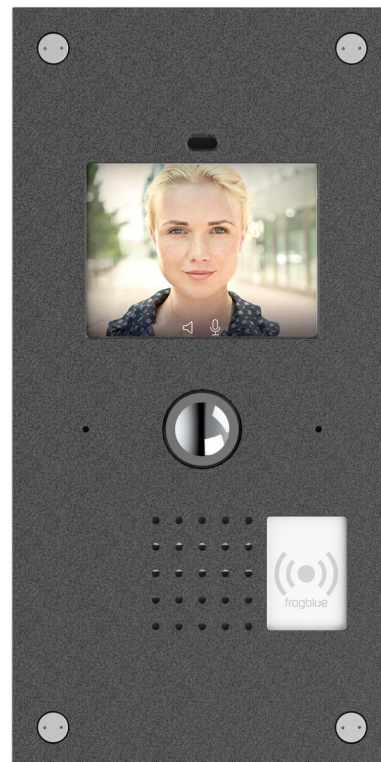


## frogTerminal S2

The frogTerminal with its hemispheric 180° 8 MP camera, RFID (MIFARE DesFire EV2), Bluetooth interface and video SIP telephony is the perfect scalable solution as a door station and/or access control system. The frogTerminal has an integrated touch display for flexible display of bell buttons and functions. It is operated and configured via the touch display or the website. The frog terminal has 2 network interfaces and is multi-party capable. Integration into the frogblue system is possible via Bluetooth® and can be extended with frogs (door opener, light, gate, etc.). The solution allows research of doorbell and access events via pre- and post-processing with image or video. Access control allows individual weekly programs for different people. The frogTerminal allows multiple authentication via PIN, RFID, frogKey or confirmation call. The terminal can be used "standalone" in your own network or connected to other devices via the frogblue cloud. The frogSIP mobile app can be used as a mobile remote station.



### Technical data

#### Category

Article description	frogTerminal S2
Item number (color: white, silver, anthracite)	TM-S2-wh.03, TM-S2-gy.03, TM-S2-an.03
Mounting type	surface-mounted or flush-mounted

#### Functions & performance

Surface	Metal powder-coated
Color	white, anthracite
Camera	8MP, 180° lens
Interfaces	WLAN, PoE, Bluetooth
RFID	MIFARE DESFire EV2 8k
Equipment	Microphone, loudspeaker, proximity & brightness sensor, touchscreen user interface
Functions	SIP video telephony, multiparty capability, event search, access control, multi-factor authentication, integration into the frog blue system possible and can be operated via the cloud
Remote stations	SIP video phone (various manufacturers, e.g. GrandStream or Fritz!Phone), frogStation, mobilApp frogSIP

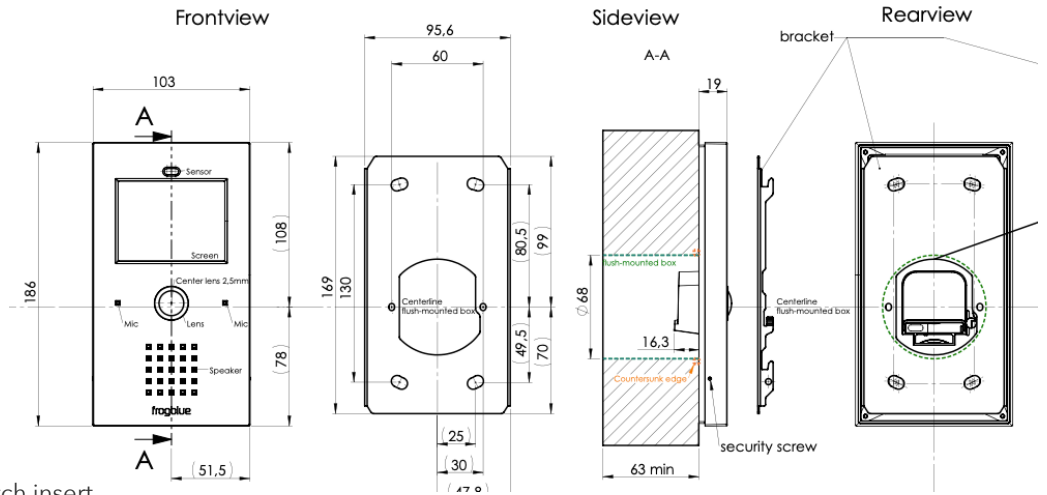
## frogTerminal S2

### Dimensions and weight

Dimensions (L x W x H):

230 x 115 x 22mm

Weight: 600g



### Box depth

min. 53 mm for installation behind switch insert,  
recommended 63 mm for installation behind switch insert

### Power supply

Power supply voltage

12-24VDC (12W), 24VAC (12W), PoE (802.3af, class 3)

Stand-by consumption

5W

### Inputs

Quantity

2, connection of potential-free contacts (self-supply 2 V / max. 1mA)  
or low voltage contacts (max. 30W / 50VDC)

### Outputs

Quantity

1, (potential-free) (max. 30W(50V))

### Network

WLAN

802.11 b/g/n; 2,4 GHz, 5 GHz

Bluetooth®

Bluetooth® 4.2 Low Energy

Frequency range

2400-2483,5 MHz max. 13,2dBm

### Operation and storage

Ambient temperature

-25°C bis +45°C

(anthracite color: do not expose to direct sunlight)

Storage temperature

-25°C bis +65°C

Humidity (operation)

(non-condensing)

Protection class

Complies with IP54

### Connection

Connection type

Spring clamp

Wire cross-section

0,2 ... 0,5mm<sup>2</sup>

### Packaging

Packaging size

1 piece

EAN 1 piece (color: white, silver, anthracite)

4260578532501, 4260578531887, 4260578531757

Packaging dimensions (L x W x H) 1 piece

420 x 250 x 70 mm

Weight incl. cable/packaging 1 piece

900 gram

The function of the device depends on the software.

