

frogTerminal ALU

The frogTerminal with its hemispheric 180° 8 MP camera, RFID (MIFARE DesFire EV2), Bluetooth interface and video SIP telephony is the perfect scalable solution as a door station and/or access control system. The frogTerminal has an integrated touch display for flexible display of bell buttons and functions. It is operated and configured via the touch display or the website. The frog terminal has 2 network interfaces and is multi-party capable. Integration into the frogblue system is possible via Bluetooth® and can be extended with frogs (door opener, light, gate, etc.). The solution allows research of doorbell and access events via pre- and post-processing with image or video. Access control allows individual weekly programs for different people. The frogTerminal allows multiple authentication via PIN, RFID, frogKey or confirmation call. The terminal can be used "standalone" in your own network or connected to other devices via the frogblue cloud. The frogSIP mobile app can be used as a mobile remote station.



Technical data

Category

Article description	frogTerminal ALU
Item number (colours: white, grey, anthracite)	TM-al-wh.03, TM-al-gy.03, TM-al-bk.03
Mounting type	Surface-mounted or on existing Mobotix® flush-mounted box using frogPlate MX2 or frogPlate MX3

Functions & performance

Surface	Metal powder-coated
Color	white, grey, anthracite
Interfaces	WLAN, PoE, Bluetooth
RFID	MIFARE DESFire EV2 8k
Equipment	Microphone, loudspeaker, proximity & brightness sensor, touchscreen user interface
Functions	SIP video telephony, multiparty capability, event search, access control, multi-factor authentication, integration into the frog blue system possible and can be operated via the cloud
Remote stations	SIP-Video-Telefon (diverse Hersteller, z.B. GrandStream oder Fritz!Phone), frogStation, mobilApp frogSIP

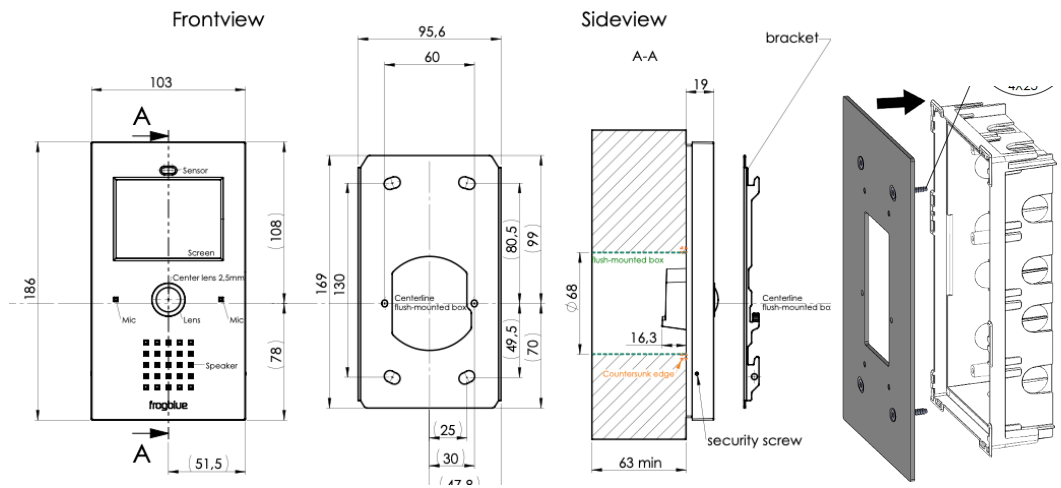
frogTerminal ALU

Dimensions and weight

Dimensions (L x W x H):

186 x 103 x 35,3 mm

Weight: 3600g



Box depth

hind switch insert,
recommended 63 mm for installation behind switch insert

min. 53 mm for installation be-

Mounting type:
surface-mounted

Mounting type: frogPlate

Power supply

Power supply voltage

12-24VDC (12W), 24VAC (12W), PoE (802.3af, class 3)

Stand-by consumption

5W

Inputs

Quantity

2, connection of potential-free contacts (self-supply 2 V / max. 1mA)
or low voltage contacts (max. 30W / 50VDC)

Outputs

Quantity

1, (potential-free) (max. 30W(50V))

Netzwerk

WLAN

802.11 b/g/n; 2,4 GHz, 5 GHz

Bluetooth®

Bluetooth® 4.2 Low Energy

Frequenzband

2400-2483,5 MHz max. 13,2dBm

Operation and storage

Ambient temperature

-25°C bis +45°C

Storage temperature

-25°C bis +65°C

Humidity (operation)

(non-condensing)

Protection class

Complies with IP54

Connection

Connection type

Spring clamp

Wire cross-section

0,2 ... 0,5mm²

Packaging

Packaging size

1 piece

EAN 1 piece

4260578532129, 4260578532112, 4260578532105

Packaging dimensions (L x W x H) 1 piece

205 x 113 x 80 mm

Weight incl. cable/packaging 1 piece

800 gram

The function of the device depends on the software.

